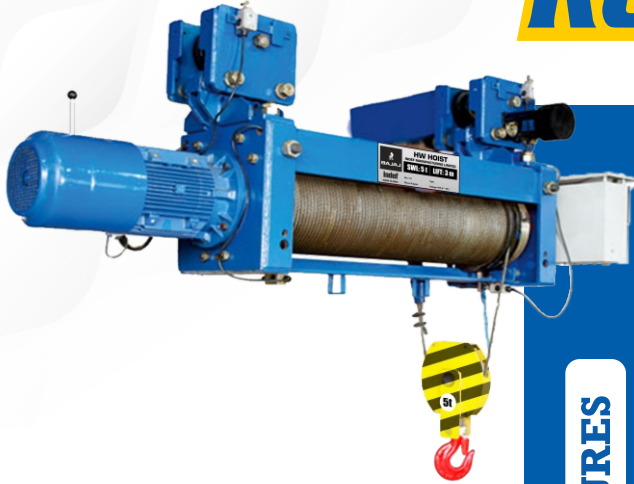


# HW WIRE ROPE HOIST



WIRE ROPE HOIST

## FEATURES

- Standard Safe Working Load range from 1t to 40t and a height of lift of up to 50 meters
- Twin drum, (4/2) design ready, and available with a twin hook hoist
- Low headroom and wide range trolley hoist with an Italian-built geared device
- The travel drive has an IP55 enclosure and an insulation class of F
- High lift and speed with true lift options are available.
- Thermocouple and encoder adaptations offered to match customer requirements
- Made suitable for hazardous applications
- **Optional features include:**
  - Frequency inverter for steep travel motion
  - Rotary switch with a gear cam for precise lift setting and added emergency stop
  - Electro-hydraulic thrust brakes

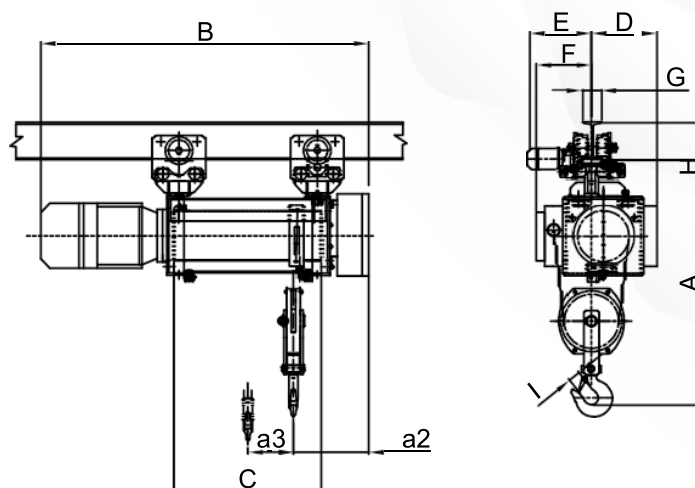
## USPs

- Design can be modified for short headroom, SGEOT, and DGEOT cranes if required
- Compactly designed Gearbox is coupled directly with the drum for high efficiency
- Equipped with an overload protection device
- Long-lasting energy efficient motors for economical use
- Optimized design allows for higher approachability and availability of working space
- Suitable for heavy-duty applications

## BENEFITS

- Used for higher Safe Working Load and longer operating hours
- Highly efficient geared drive system enables a 20% longer service life
- Compact design, low maintenance and noise
- Ensures precise load handling
- Long-lasting brakes that don't require regular adjustments
- Easily serviceable

## HW - 2 (L) / HW - 2 WIRE ROPE HOISTS



Type		Hw2 (L)								Hw2								
		H1	H3	H5	H7	H1	H3	H5	H7	H2	H4	H6	H9	H2	H4	H6	H9	
Drum Length (C)	mm	583	832	1232	1631	583	832	1232	1631	699	1032	1432	2031	699	1032	1432	2031	
SWL Class-II	Tonnes	1.5				3				3				6				
SWL Class-IV	Tonnes	1.25				2.5				2.5				5				
Lift	M	12	20	35	50	6	10	18	25	12	20	35	50	6	10	18	25	
No. of Falls																		
Wire Rope Dia.	mm	8				8				10				10				
Hoisting Speed	M/Min.	5.9				2.95				8.2				4.1				
Hoisting Motor Kw.	Kw	2.2				2.2				5.5				5.5				
Travelling Speed	M/Min.	17				17				17				17				
Travelling Motor Kw.	Kw	0.37KW				0.37KW				0.37KW				0.55KW				
Trolley Wheel (Dia./Qty.)	mm/Nos.	140 (4)				140 (4)				140(4)				140(4)				
Dimn. A (Head Room)	mm	1230				1180				1280				1240				
Dimn. (B) (Note-1)	mm	1375	1625	2025	2425	1376	1625	2025	2424	1597	1882	2262	2881	1597	1882	2262	2881	
Dimn. D	mm	210				243				210				243				
Dimn. E (Note-3) Min.	mm	600				600				600				600				
Dimn. F	mm	321				205				321				205				
Dimn. G (Flange Width)	mm	90-180				125-210				90-180				125-210				
Dimn. H (Beam Hight)	mm	175				250				175				250				
Dimn. I	mm	37				42				42				52				
Dimn. a2	mm	370				406				370				406				
Dimn. a3	mm	160	280	480	680	95	175	310	440	215	380	580	780	130	245	375	815	
Approx. Weight	Hoist	Kg	220	250	305	340	245	270	320	365	235	270	320	365	255	295	340	385
	Trolley	Kg	120	120	120	120	120	120	120	120	150	150	150	150	150	150	150	150
	Total	Kg	340	370	425	460	365	390	440	485	385	420	470	515	405	445	490	535
Min. Req. Curvature Radius	mm	900	1250	1850	2450	900	1250	1850	2450	1050	1550	2150	3050	1050	1550	2150	3050	

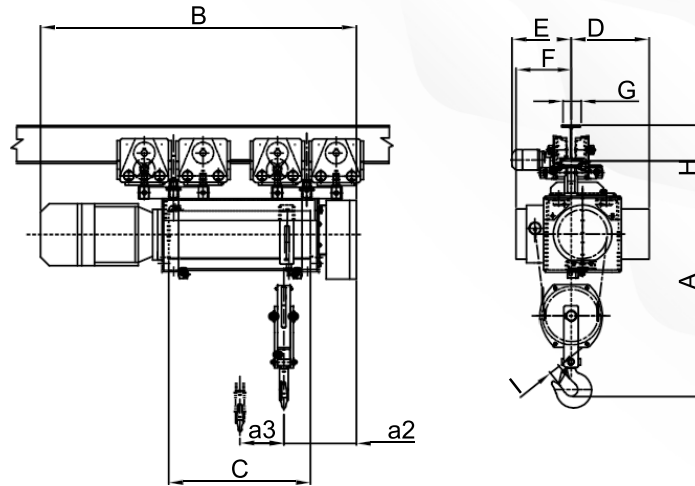
Data Tolerance ± 10%.

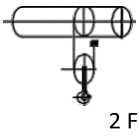
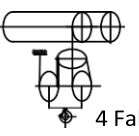
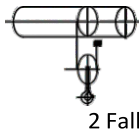
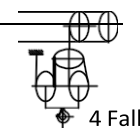
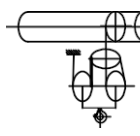
**NOTE:**

- 1) 1:3 CREEP SPEED CAN BE GIVEN AT EXTRA COST & DIMENSION 'B' WILL INCREASE BY 165 MM
- 2) 13,26 MPM TROLLEYS ALSO CAN BE SUPPLIED (SINGLE REDUCTION GEAR BOX)
- 3) 8.5, 4.25, 2.8, 2.1 MPM TROLLEYS ALSO CAN BE SUPPLIED (DOUBLE REDUCTION GEAR BOX) AT EXTRA COST, DIMENSION 'E' WILL INCREASE IN 100MM.
- 4) RADIUS OF CURVATURE SHOULD NOT BE S TYPE OR Z TYPE BEND WITH 90 DEGREE SHARP BEND.

Note :- Due to Continuous development and improvement specification listed above may be changed without notice.

# HW3, HW4 (L), HW4 (HL) WIRE ROPE HOISTS



Type		HW3								HW4 (L)						HW4 HIGH LIFT					
		H2	H4	H6	H9	H2	H4	H6	H9	H1	H4	H8	H1	H4	H8	H2	H4	H5	H2	H4	
Drum Length (C)	mm	706	1030	1419	2002	706	1030	1419	2002	695	1201	2100	695	1201	2100	1700	2200	2450	2150	2750	
SWL Class - II	Tonnes	5				10				6			12			12			20		
SWL Class - IV	Tonnes	4				8				5			10			10			16		
Lift	M	12	20	35	50	6	10	18	25	14	30	60	7	15	30	30	40	45	30	40	
No. Of Falls																					
Wire Rope Dia.	mm	13				13				13			13			13			18		
Hoisting Speed	M/Min.	8.1				4.0				8.2			4.1			3.8					
Hoisting Motor Kw.	Kw	9.3				9.3				15			15			15					
Travelling Speed	M/Min.	17				17				17			17			17					
Travelling Motor Kw.	Kw	0.37 KW				0.55 KW (2 NOS.)				0.55 Kw			0.55 Kw (2 Nos.)			0.75 KW (2 Nos.)					
Trolley Wheel Dia/Qty.	mm/Nos.	140 (4)				140 (4)				140 (4)			140 (4)			140 (8)					
Dimn. A (Head Room)	mm	1550				1530				1670			1660			1860					
Dimn. (B) (Note-1)	mm	1668	1992	2381	2964	1668	1992	2381	2964	1796	2302	3201	1796	2302	3201	2464	3254	3504	2754	3236	
Dimn. D	mm	512				486				539			500			500			500		
Dimn. E (Note-3) Min.	mm	600				600				600			600			600					
Dimn. F	mm	408				434				381			420			381					
Dimn. G	mm	125 - 210				125 - 210				125 - 210			150 - 210			125 - 210			150 - 210		
Dimn. H (MIN.)	mm	250				250				250			450			250			450		
Dimn. I	mm	52				78				78			95			78			95		
Dimn. a2	mm	484				587				505			597			548			652		
Dimn. a3	mm	202	365	560	755	100	210	340	465	183	436	886	91	260	560	155	317	480	135	335	
Approx. Weight	Hoist	Kg	340	390	450	510	370	420	480	535	480	550	735	530	590	835	850	950	1100	900	1000
	Trolley	Kg	120	120	120	120	140	140	140	140	140	140	280	280	280	280	280	280	280	280	280
	Total	Kg	460	510	570	630	510	560	620	675	620	690	875	810	870	1115	1130	1230	1380	1180	1280
Min. Req. Curvature Radius	mm	1100	1600	2200	3000	1100	1600	2200	3000	1100	1800	3200	1100	1800	3200	2500	3300	3700	3300	4200	

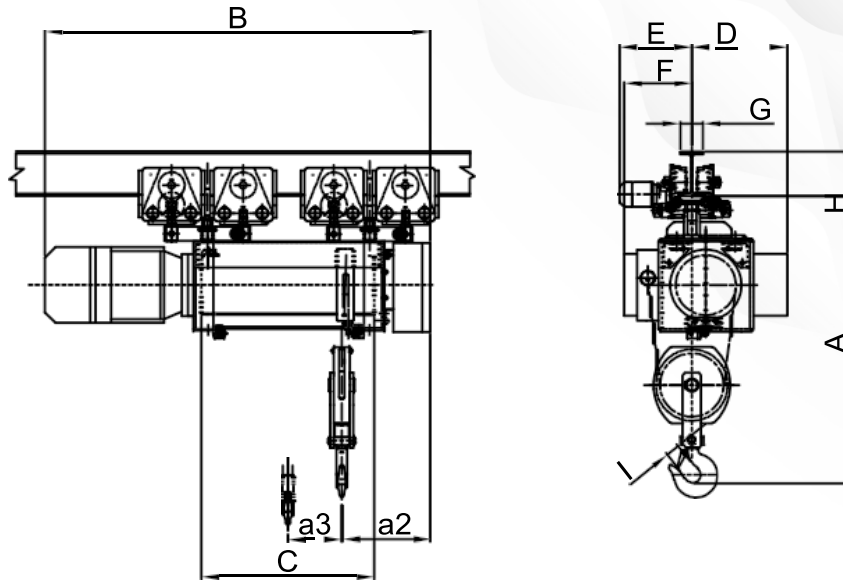
**NOTES:**

Data Tolerance ±10% .

- 1) 1:3 CREEP SPEED CAN BE GIVEN AT EXTRA COST & DIMENSION 'B' WILL INCREASE BY 165 MM
- 2) 13,26 MPM TROLLIES ALSO CAN BE SUPPLIED (SINGLE REDUCTION GEAR BOX)
- 3) 8.5, 4.25, 2.8, 2.1 MPM TROLLIES ALSO CAN BE SUPPLIED (DOUBLE REDUCTION GEAR BOX) AT EXTRA COST, DIMENSION 'E' WILL INCREASE IN 100 MM.
- 4) ♦ RADIUS OF CURVATURE SHOULD NOT BE S TYPE OR Z TYPE BEND WITH 90 DEGREE SHARP BEND.

Note :- Due To Continuous development and improvement specification listed above may be changed without notice.

# HW4 (M), HW4 (H), HW5 & HW5 (H) WIRE ROPE HOISTS



Type		HW4 (M)								HW4 (H)								HW5			HW5 (H)		
		H1	H3	H5	H9	H1	H3	H5	H9	H1	H3	H5	H9	H1	H3	H5	H9	H4	H6	H8	H4	H7	
Drum Length (C)	mm	695	976	1426	2325	695	976	1426	2325	695	976	1426	2325	695	976	1426	2325	1238	1684	2220	1238	1906	
SWL Class - II	Tonnes	7.5				15				10				20				30			40		
SWL Class - IV	Tonnes	6				12				8				16				25			35		
Lift	M	10	18	30	50	5	9	15	25	10	18	30	50	5	9	15	25	10	18	25	10	18	
No. Of Falls																							
Wire Rope Dia.	mm	18				18				18				18				22			24		
Hoisting Speed	M/Min.	8.2				4.1				6.7				3.3				3.5			2.6		
Hoisting Motor Kw.	Kw	15				15				15				15				22			22		
Travelling Speed	M/Min.	17				17				17				17				12			12		
Travelling Motor Kw.	Kw	0.55 Kw (2 Nos.)				0.75 Kw (2 Nos.)				0.55 KW (2 Nos.)				0.75 KW (2 Nos.)				1.1 (2 Nos.)			1.1 (2 Nos.)		
Trolley Wheel	Dia (Nos.)	140 (4)				140 (8)				140 (4)				140 (8)				140 (8)			160 (8)		
Dimn. A (Head Room)	mm	1860				1840				1860				1840				2550			2700		
Dimn. (B) (Note-1)	(mm)	1796	2077	2527	3426	1796	2077	2527	3426	1796	2077	2527	3426	1796	2077	2527	3426	2617	3063	3438	2850	3518	
Dimn. D	mm	539				500				539				500				646			646		
Dimn. E	mm	585				605				585				605				802			802		
Dimn. F	mm	381				420				381				420				489			497		
Dimn. G (Flange Width)	mm	125 - 210				150 - 210				125 - 210				150 - 210				300-350			300-350		
Dimn. H (Beam Size)	mm	250				450				250				450				550			600		
Dimn. I	mm	78				95				78				95				155			168		
Dimn. a2	mm	548				652				548				652				821			656		
Dimn. a3	mm	99	220	415	706	40	121	250	445	99	220	415	706	40	121	250	445	291	437	583	351	570	
Approx. Weight	Hoist	Kg	480	510	595	765	530	570	695	835	480	510	595	765	530	570	695	835	820	885	950	900	975
	Trolley	Kg	180	180	180	180	280	280	280	280	140	140	140	140	280	280	280	280	300	300	300	350	350
	Total	Kg	660	690	775	945	810	850	975	1115	620	650	735	905	810	850	975	1115	1120	1185	1250	1250	1325
Min. Req. Curvature Radius	mm	1100	1500	2200	3500	1100	1500	2200	3500	1100	1500	2200	3500	1100	1500	2200	3500	1900	2600	3400	1900	2900	

Data Tolerance ±10% .

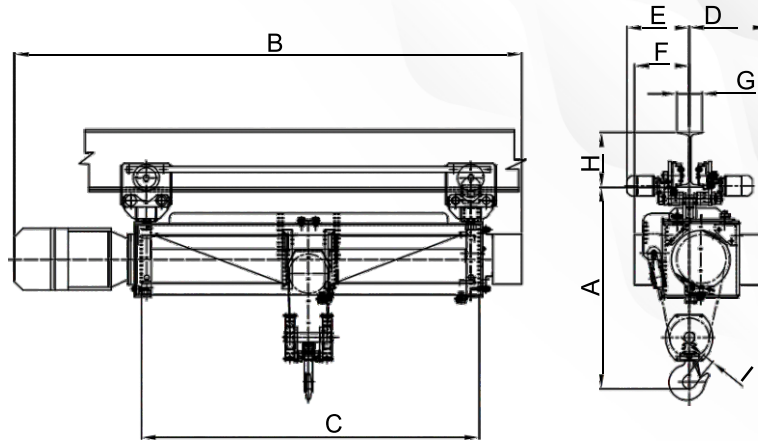
**NOTES:**

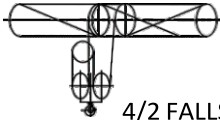
- 1) 1:3 CREEP SPEED CAN BE GIVEN AT EXTRA COST. & DIMENSION 'B' WILL INCREASE BY 165 MM
- 2) 13,26 MPM TROLLIES ALSO CAN BE SUPPLIED (SINGLE REDUCTION GEAR BOX)
- 3) 8.5, 4.25, 2.8, 2.1 MPM TROLLIES ALSO CAN BE SUPPLIED (DOUBLE REDUCTION GEAR BOX) AT EXTRA COST, DIMENSION 'E' WILL INCREASE IN 100 MM.
- 4) RADIUS OF CURVATURE SHOULD NOT BE S TYPE OR Z TYPE BEND WITH 90 DEGREE SHARP BEND.

Note :- Due To Continuous development and improvement specification listed above may be changed without notice.



# HW2, HW3, HW4 (M), (H) (LH/RH) WIRE ROPE HOISTS



TYPE		HW2			HW3			HW4 (M) / HW4 (H)			
		H4	H6	H8	H3	H5	H7	H4	H6	H8	
DRUM LENGTH.	MM	1032	1432	1831	836	1225	1613	1201	1651	2100	
SWL CLASS - II	TONNES	3			5			7.5 / 10			
SWL CLASS - IV	TONNES	2.5			4			6 / 8			
LIFT	M	10	18	25	10	18	25	10	18	25	
NO. OF FALLS	 4/2 FALLS										
WIRE ROPE DIA.	mm	8			10			13			
HOISTING SPEED	M/MIN.	8.2			8.1			8.2 / 6.7			
HOISTING MOTOR KW.	Kw	5.5			9			15			
TRAVELLING SPEED	M/MIN.	17			17			17			
TRAVELLING MOTOR KW.	Kw	0.37			0.37			0.55 KW (2 NOS.)			
Trolley Wheel Dia./Qty.	mm/ Nos.	140 (4)			140 (4)			140 (4)			
DIMN. A (HEAD ROOM)	mm	1160			1400			1600			
DIMN. (B)	mm	1930	2330	2729	1798	2381	2575	2270	2752	3426	
DIMN. D	mm	210			260			347			
DIMN. E	mm	550			410-460			410 - 460			
DIMN. F	mm	321			240			309			
DIMN. G (Flange Width)	mm	90-180			125-210			125 - 210			
DIMN. H (Beam Size)	mm	175			250			250			
DIMN. I	mm	42			52			78			
APPROX. WEIGHT	HOIST	Kg	385	430	560	545	600	780	845	1045	1090
	TROLLEY	Kg	120	120	120	120	120	120	140	140	140
	TOTAL	Kg	505	550	680	665	720	900	985	1185	1230
Min. Req. Curvature Radius ♦	mm	1600	2200	2800	1300	1900	2500	1800	2500	3200	

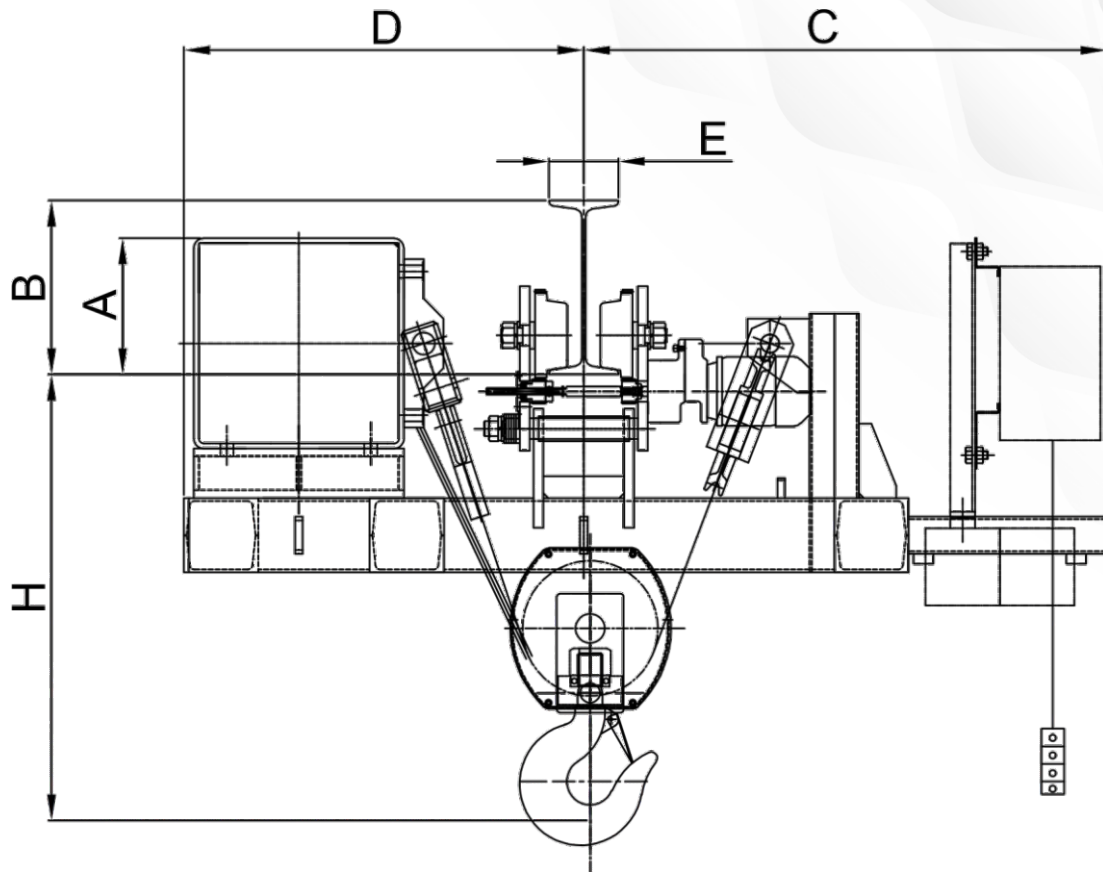
Data Tolerance ±10% .

## NOTES:

- 1) 1:3 CREEP SPEED CAN BE GIVEN AT EXTRA COST & DIMENSION 'B' WILL INCREASE BY 165 MM
- 2) 13,26 MPM TROLLIES ALSO CAN BE SUPPLIED (SINGLE REDUCTION GEAR BOX)
- 3) 8.5, 4.25, 2.8, 2.1 MPM TROLLIES ALSO CAN BE SUPPLIED (DOUBLE REDUCTION GEAR BOX) AT EXTRA COST.  
DIMENSION 'E' WILL INCREASE IN 100 MM.
- 4) ♦ RADIUS OF CURVATURE SHOULD NOT BE S TYPE OR Z TYPE BEND WITH 90 DEGREE SHARP BEND.

Note :- Due To Continuous development and improvement specification listed above may be changed without notice.

# SHORT HEAD ROOM WIRE ROPE HOISTS



Model	Capacity	Falls	A (Max.)	B Beam Height (Min.)	C	D	E F.W. (Min.)	H Head Room (Min.)
HW-2	3T	2F	300	350	650	600	140-210	800
	6T	4F	300	350	650	600	140-210	800
HW-3	5T	2F	325	350	925	730	140-210	800
	10T	4F	325	350	920	800	140-210	1000
HW-4	10T	2F	375	400	1110	960	140-210	1100
	20T	4F	375	400	1130	980	140-210	1100

Data Tolerance  $\pm 10\%$ .

**NOTE :**

- 1) SUITABLE FOR STRAIGHT PATH ONLY.
- 2) TROLLEY MOTION MOTORISED.
- 3) HOIST IS SUITABLE FOR SPECIFIC BEAM SIZE. REQUIRED BEAM DETAILS ALONG WITH ORDER.
- 4) PLEASE REFER SPECIFICATION LEAFLET FOR OTHER DETAILS.

Note :- Due To Continuous development and improvement specification listed above may be changed without notice.



[www.indef.com](http://www.indef.com) | [enquire@indef.com](mailto:enquire@indef.com) | +91 (22) 489-33303

Office No. 501-504, Shelton Cubix, Plot No. 87, Sector-15, CBD-Belapur, Navi Mumbai - 400 614, India.

