

CRANES & CRANE KIT

FEATURES

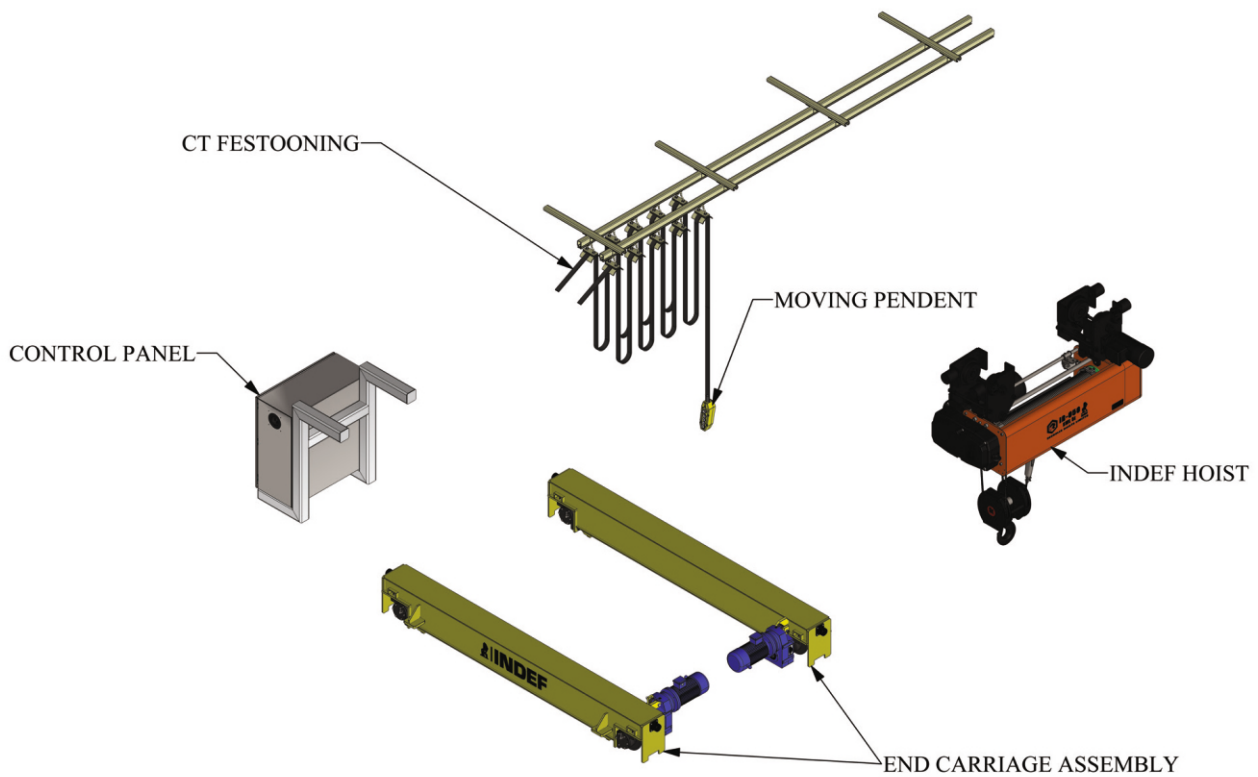
- Capacity ranges from 2t, 3t, 5t to 10t with a height of lift up to 12m and a span of 25m
- Designed for FEM-2m/M5 duty
- Equipped with a next-gen IR series Wire Rope Hoist of either 2t, 3t, 5t, or 10t capacity
- 6-way pendant with emergency start and stop buttons
- Power of 415V and control – 110V, 50Hz, AC

USPs

- High tensile girder end carriage bolts, joint plates, derailment guars, buffers, and sweeper plates
- Hoist, trolleys, and bridges are available with variable speeds
- Flat cable festooning that runs on galvanised C-track
- Box end carriages
- Electro-mechanical overload instrument
- A separate track to move the pendant, the flat cable with a plug socket
- Made in India product
- Completely customizable

BENEFITS

- Freedom to customise
- Less downtime
- Less reliance on others
- Economical design
- Enhances productivity by allowing high operating efficiency
- Low freight cost.



Indef crane kit package consists of

- Next generation iR series wire rope hoist of 2T, 3.2T, 5T & 10T capacity
- Box end carriages
- Electro-Mechanical overload instrument
- Variable speed for Hoist, Trolley & Bridge
- Flat cable festooning running on galvanized C-track
- Separate track for moving pendant through flat cable with plug socket
- High tensile girder end carriage joint bolts, joint plates, derailment guard, buffers, sweeper plate.
- 6 Way pendant with emergency stop and start button
- Power- 415V and Control- 110V, 50Hz, AC
- Anti-Collision device
- Short headroom hoist
- Loadcell with display
- Gravity limit switch
- Rotary limit switch
- Radio Remote

